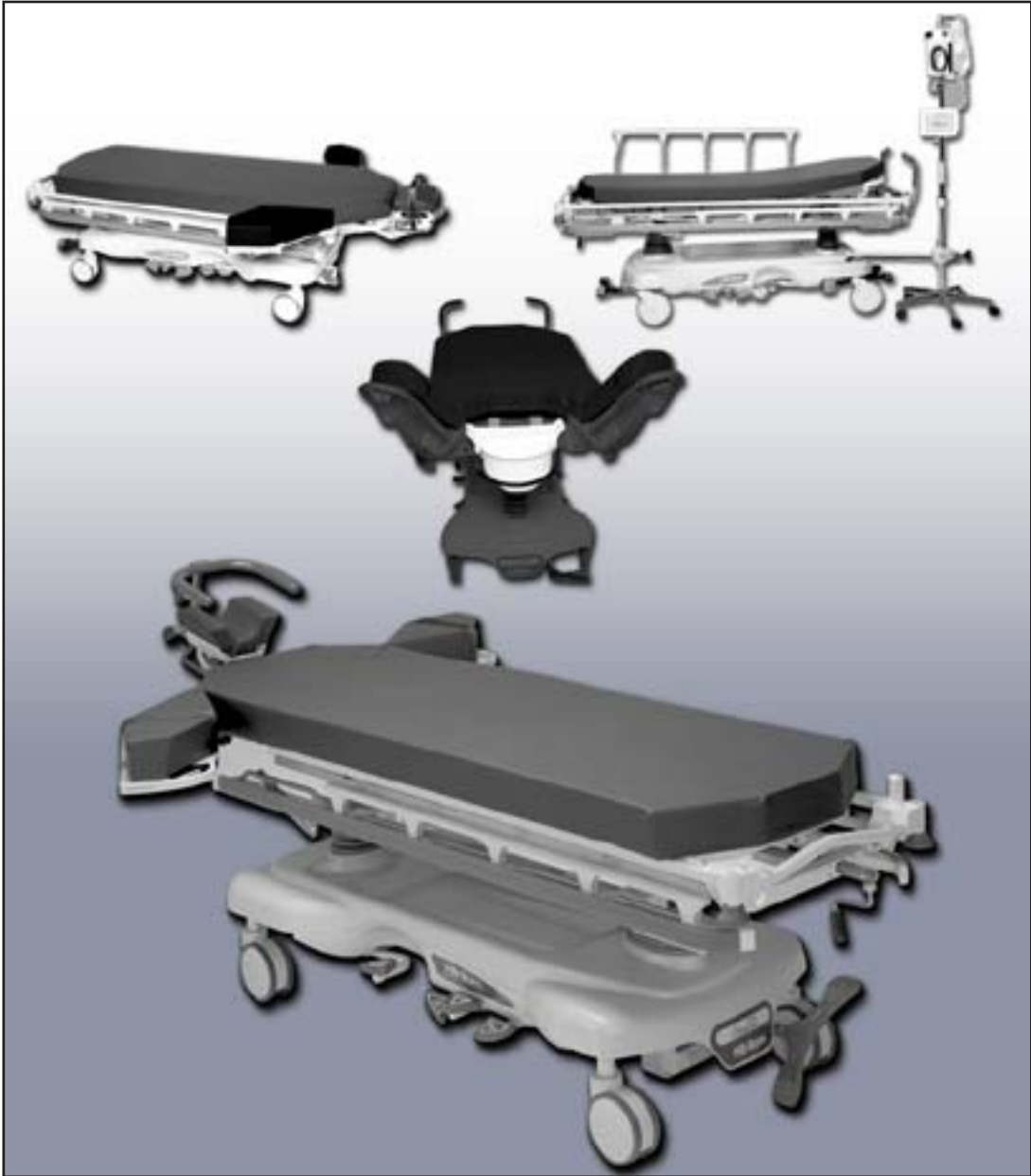
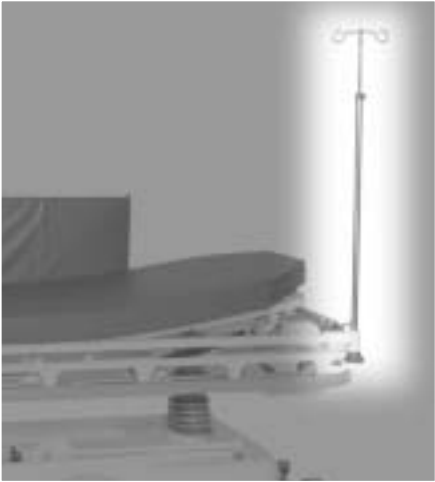


# TranStar® Stretcher Accessories

---



ACCESSORIES FOR THE TRANSTAR® STRETCHER



*Telescopic IV Pole*

P2217



*ISS Transfer Pole* P158  
*(Socket Adaptor P163 required)*  
*Socket Adaptor* P163



*IV Transporter Device*

P491



*Upright Chest X-Ray Cassette Holder*  
*(for TranStar® Trauma & OB/GYN Stretchers)*  
P279AT



*Lateral X-Ray Cassette Holder*  
P264



*Liquid Oxygen Tank Holder*  
P273



*Vertical Oxygen  
Tank Holder*

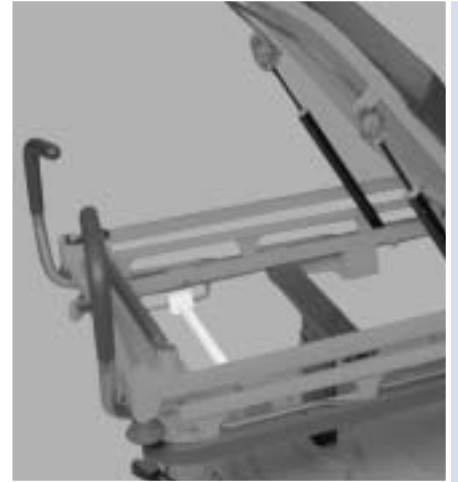
P27601



*Chart Holder*

*(Footboard P4120T or P350T Required)*

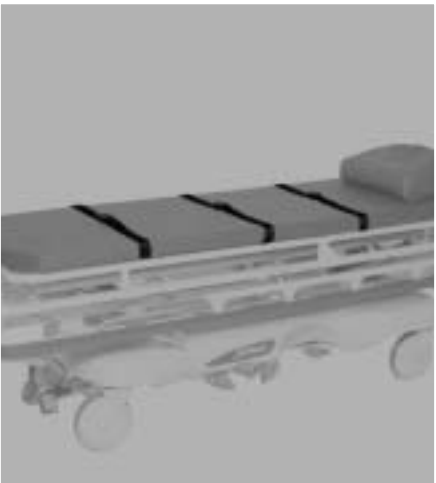
P361



*Paper Roll Dispenser*

P364AT01 (Std. Width)

P364AT02 (Wide Width)



*Transport Straps-(3 shown)  
(1 strap)*

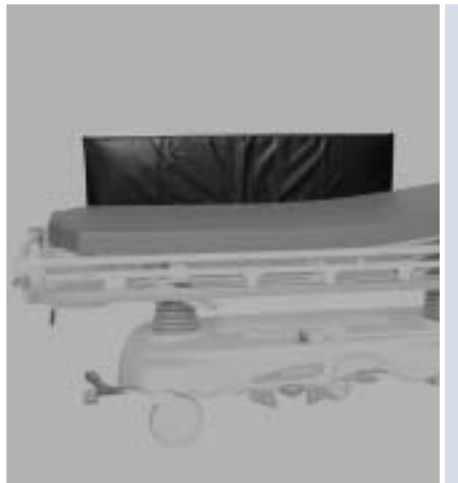
P349



*Foot Extender*

P929C1 (3" - 7.6cm)

P929C2 (4" - 10.2cm)



*Siderail Pads*

*(not available on TranStar® OB/GYN Stretcher)*

P931AT

ACCESSORIES FOR THE TRANSTAR® SURGICAL STRETCHER



*Temporal Wrist Rest*

P262A02



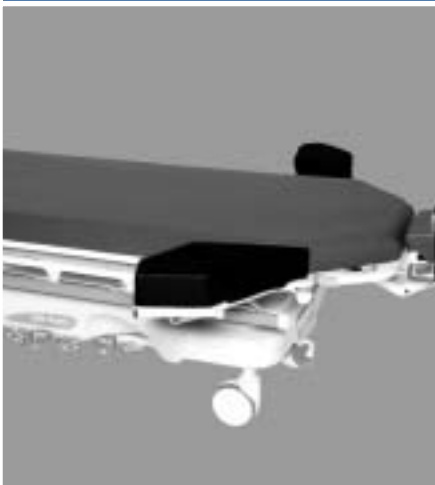
*Gas Delivery/Drape Support Device*

P263



*Head Restraint Strap*

P449



*Integrated PACU Extenders*

P261EBP (with fire barrier)



*Superior Wrist Rest*

P262A01



*Vertical Oxygen  
Tank Holder*

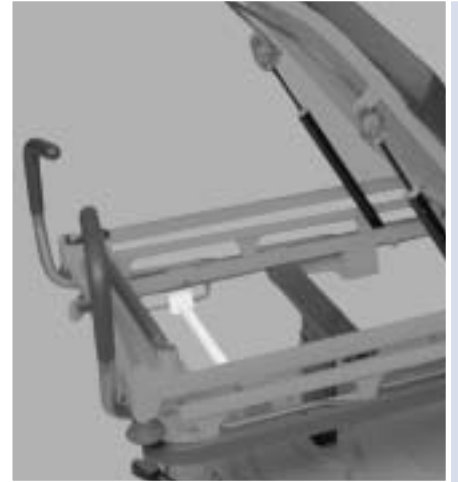
P27601



*Chart Holder*

*(Footboard P4120T or P350T Required)*

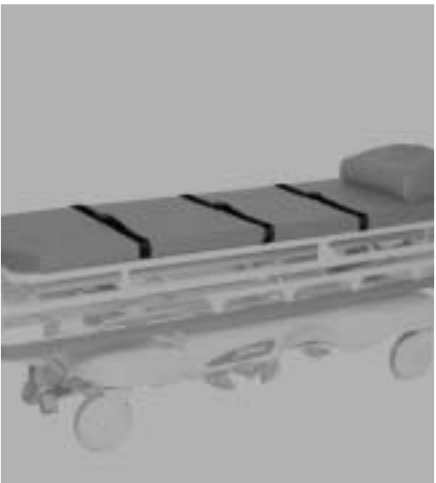
P361



*Paper Roll Dispenser*

P364AT01 (Std. Width)

P364AT02 (Wide Width)



*Transport Straps-(3 shown)  
(1 strap)*

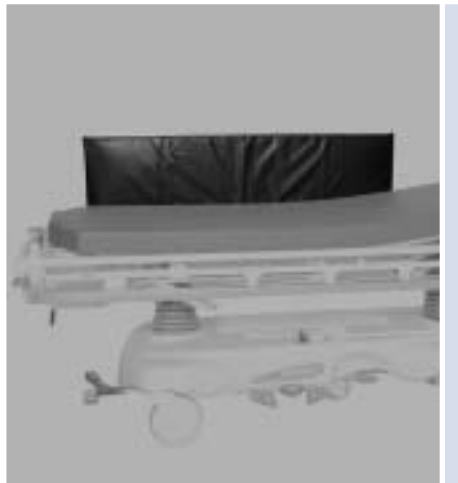
P349



*Foot Extender*

P929C1 (3" - 7.6cm)

P929C2 (4" - 10.2cm)



*Siderail Pads*

*(not available on TranStar® OB/GYN Stretcher)*

P931AT

## ACCESSORIES FOR THE TRANSTAR® STRETCHER



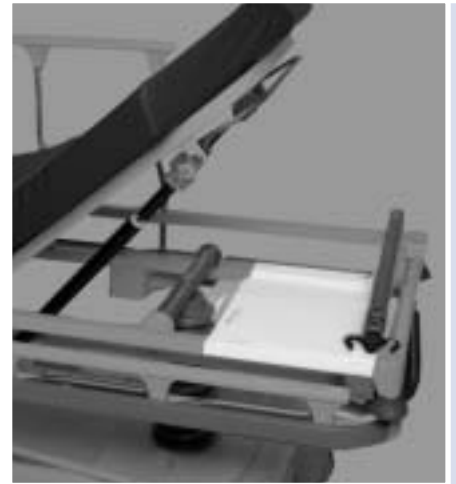
*Stretcher Pillow*

P1425A



*Patient Tray*

P490B



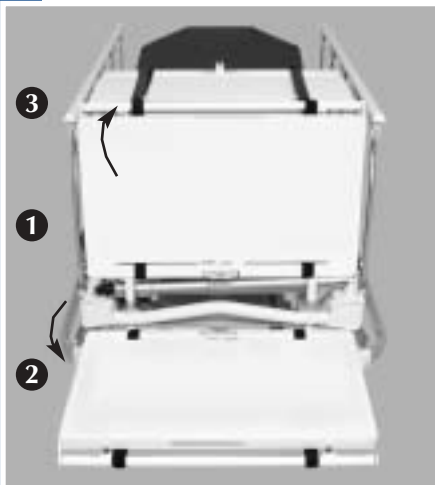
*Utility Tray*

P297A01 (Std. Width)  
P297A02 (Wide Width)



*Head/Footboard*  
*(Headboard for OB/GYN Stretchers)*

P4120T



*Convertible Footboard*

P350T



*Armboard*

P344AT

DIRECT CUSTOMER SERVICE HOTLINE:  
USA 800-445-3730  
CANADA 800-267-2337

**Hill-Rom**<sup>®</sup>

A HILLENBRAND INDUSTRY

Batesville, IN 47006 USA • 812-934-7777 • Fax 812-934-8189  
Canada • 905-206-1355 • Fax 905-206-0561  
International • 812-934-8173 • Fax 812-934-7191  
[www.hill-rom.com](http://www.hill-rom.com)

CTG276ra

Hill-Rom reserves the right to make changes without notice in design, specifications, and models. The only warranty Hill-Rom makes is the express written warranty extended on the sale or rental of its products.  
©2002 Hill-Rom Services, Inc.  
ALL RIGHTS RESERVED.